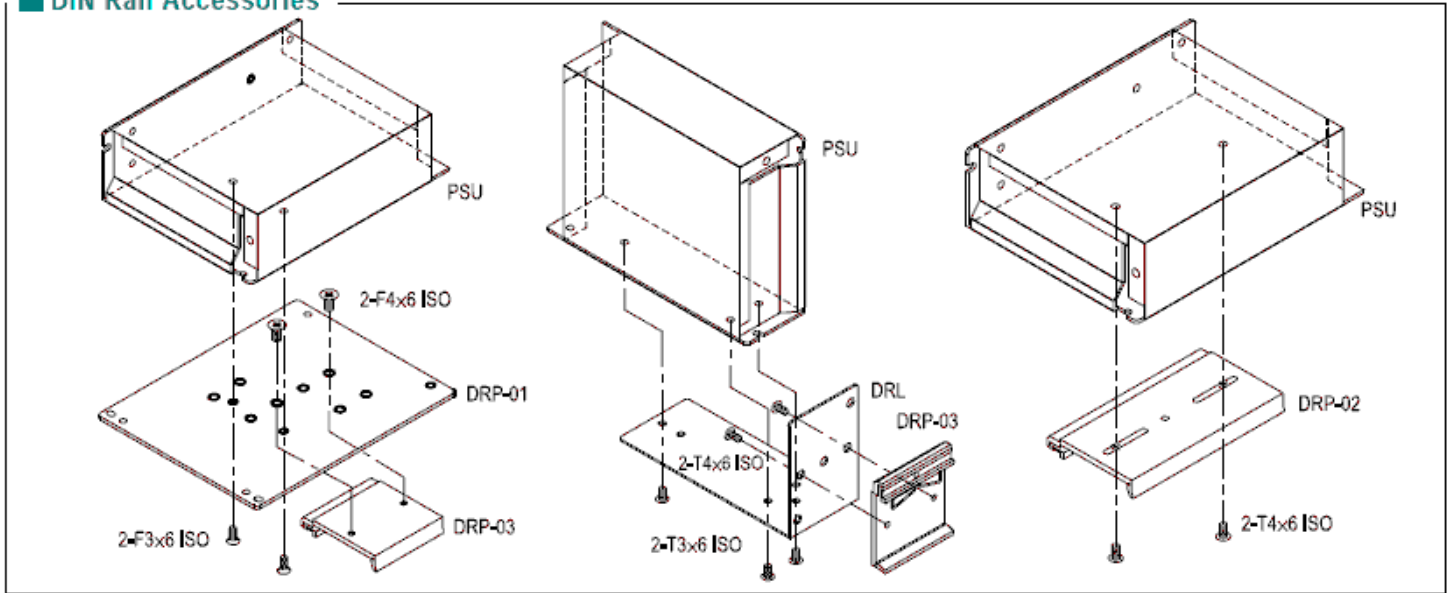
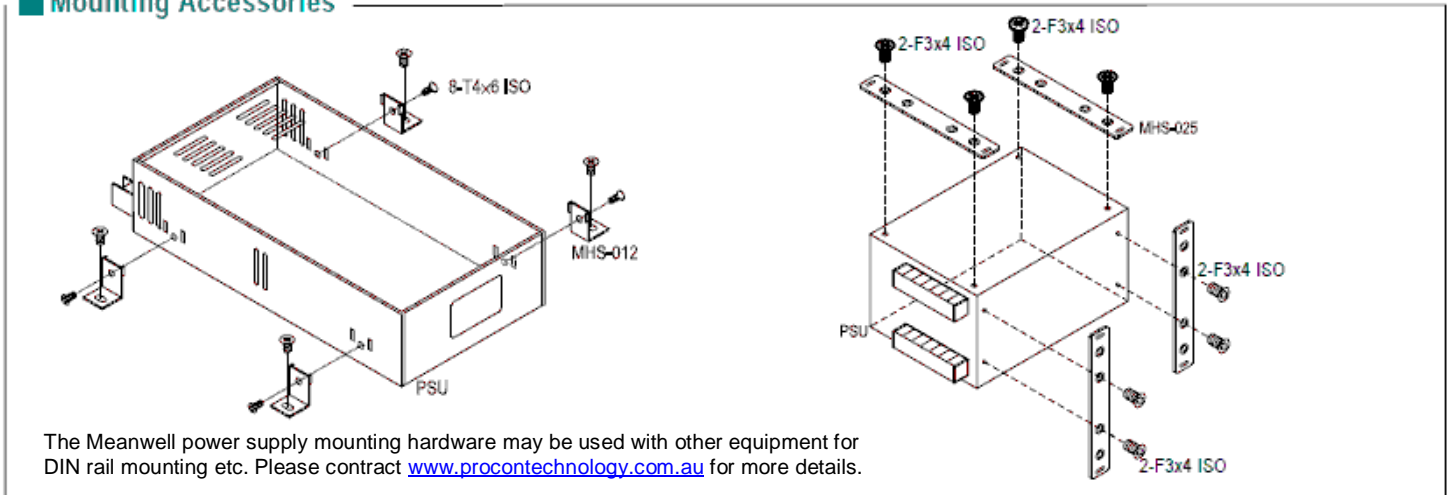


## DIN Rail Accessories



## Mounting Accessories



The Meanwell power supply mounting hardware may be used with other equipment for DIN rail mounting etc. Please contact [www.procontechology.com.au](http://www.procontechology.com.au) for more details.

ITEM	Order No.	Case	Model
	DRL-01	903, 238 905, 240 931 932, 239 971	RS-75, HRP-75, LRS-100... RS-50, SD-25, LRS-75... RS-25, SD-15... RS-35, LRS-35, LRS-50... RS-15...
	DRL-02	901, 241 902 906 915 916 920, 220	RS-100, SD-50, LRS-150... RS-150, HRP/G-200, SD-100... SD-150... SP-100... SP-150, SP-200... SP-75, RSP-75...
	DRL-03A	912 980 987	SP-320, SD-200/350/500... HRP/G-300 SP-240
	DRP-01	901, 902 903, 906 931, 932	As above
	DRP-01A	203 205 978 999	RSD-200 RSD-300 RSD-150 RSD-100
	DRP-02	215, 227 903, 905, 915 916, 920, 931 971, DRP-01	RSP-150, RSP-100 As above
	DRP-03	DRP-01 DRP-01A DRL-01-03	As above
	DRP-04	DRP-01A	As above

ITEM	Order No.	Case	Model
	MHS012	206, 207, 215 912, 915 916, 935 939, 940 977, 980 982, 987 995, 226, 227	HDP-190/240, RSP-150/200/320, SP-320, SD-200/350/500, SP-100, SP-150, SP-200 MP450/650/1000 HRP/G-300/600, HSP-250, RSP-2400/3000, SP-240, HRP/G-450, RSP-100/500
	MHS013	919	SP-750
	MHS014	212 952	RSP-750 RSP-1000/2000, SD-1000
	MHS025	910 207	SP-500, PSP-600... RSP-200, RSP-320
	MHS026	943, 223, 234	RSP-1500, RST-5000, RST-10000
	MHS027	971 931	RS-15 RS-25, SD-15
	TBC-05	901, 903 905 932 220 239, 240	SD-50, NES-50, RS-75 SD-25, NES-35, RS-50 NES-25, RS-35 RSP-75 LRS-35, LRS-50, LRS-75
	TBC-07	901 902 903 905, 906 215, 227 238 241	D/ID-60, NED/T-75, RD-85, NES-100, RS-100, T-60 RS-150, SD-100, NES-150, RD-125 NED/T-50, RD/RID-65, T-40 NED/T-35, RD-50, SD-150 RSP-150, RSP-100 LRS-100 LRS-150, LRS-150F
	TBC-08	901 906	AD/ADD/ADS-55 AD/ADD/ADS-155, D/T/Q-120
	TBC-09	207	RSP-200, RSP-320